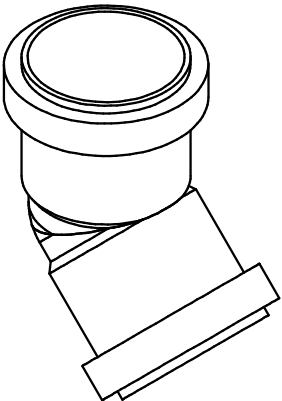
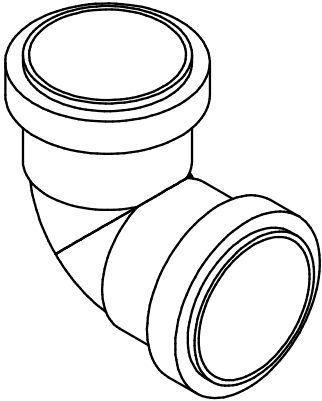


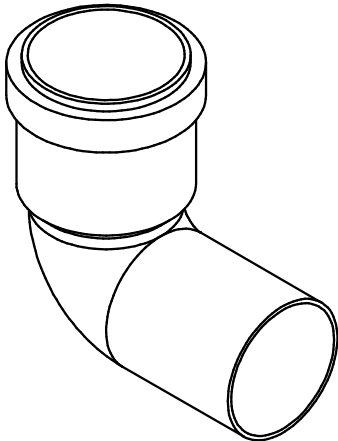
DOWNPIPE CONNECTOR KIT PARTS LIST



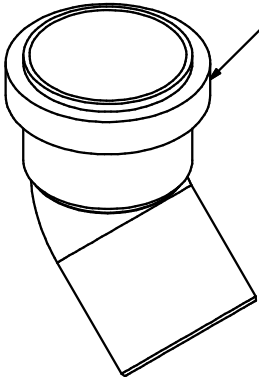
PP001_026
45 DEGREE BEND - 1 OFF



PP001_027
90 DEGREE BEND - 2 OFF

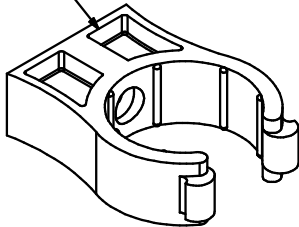


PP001_029
90 DEGREE SHOE - 1 OFF

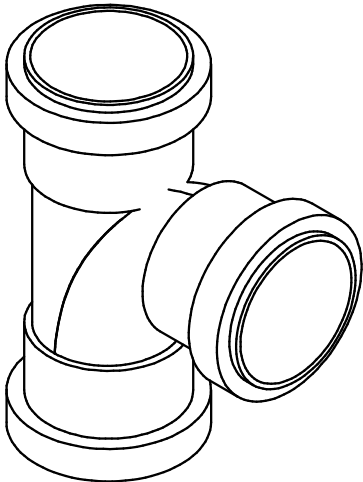


PP001_002
45 DEGREE SHOE - 2 OFF

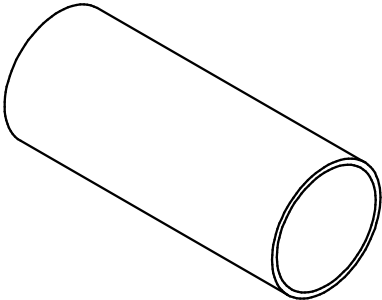
REUSE EXISTING PARTS
FROM YOUR STRUCTURE



PP001_003
DOWNPIPE CLIP - 2 OFF



PP001_028
T CONNECTOR - 1 OFF



DOWNPIPES

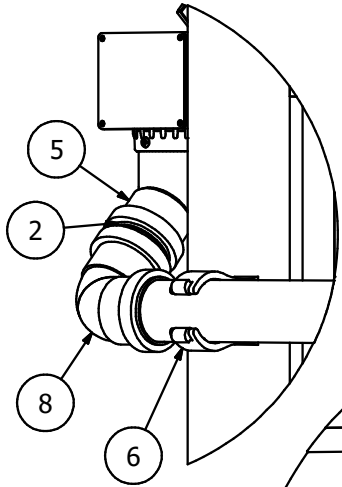
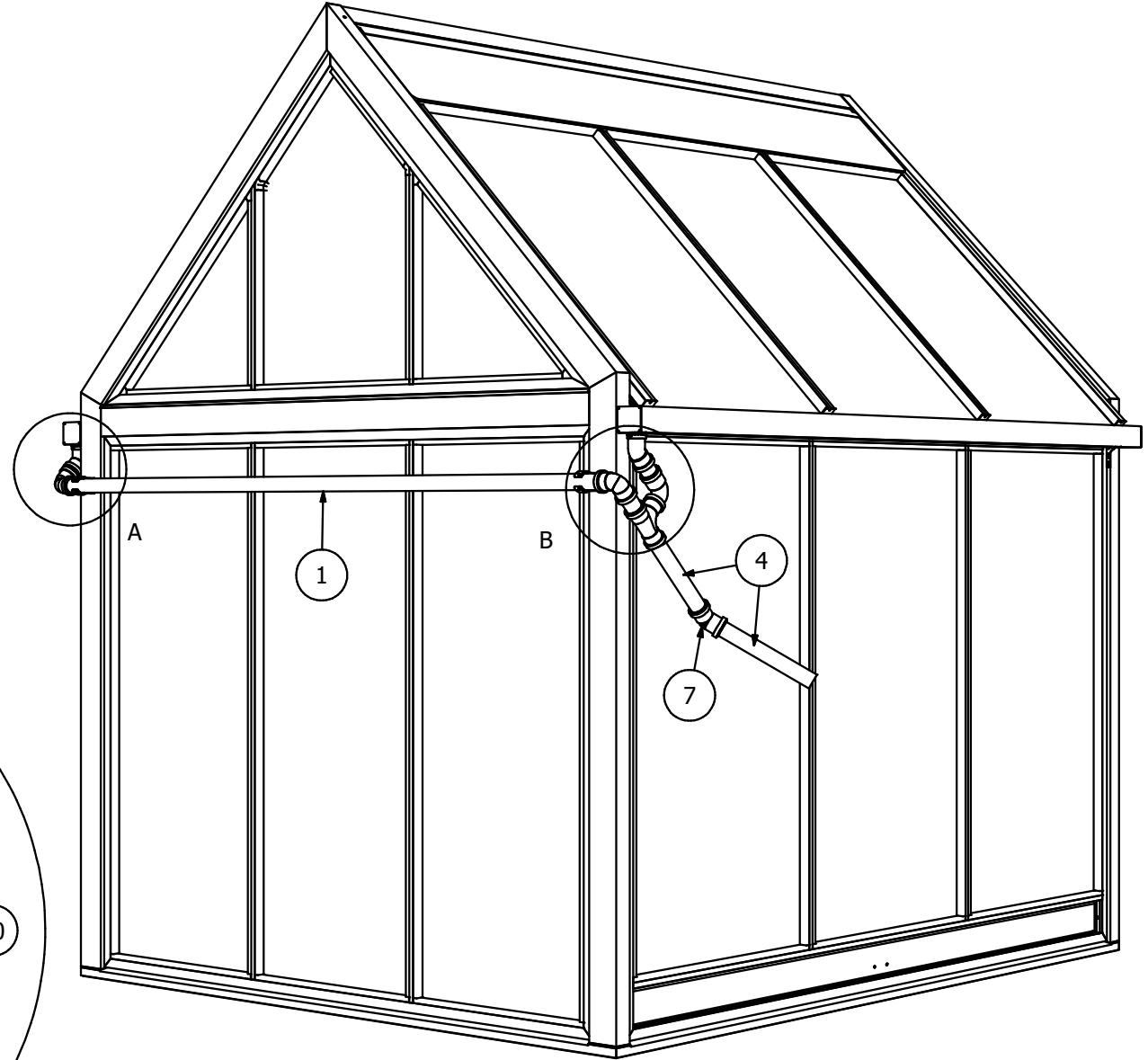
- 65mm - 2 OFF
- 100mm - 2 OFF
- 300mm - 2 OFF

AND DEPENDING ON YOUR STRUCTURE:

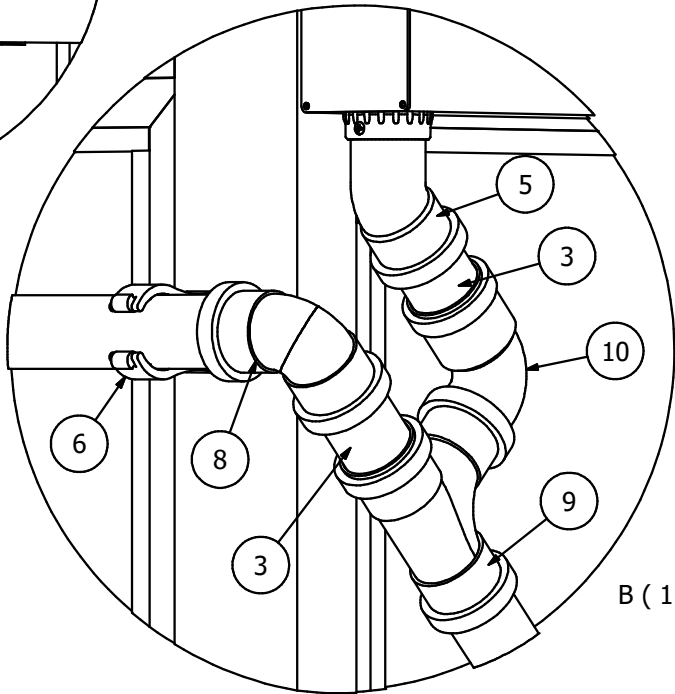
- 2045mm - 1 OFF 6 HOUSE
- 2457mm - 1 OFF 8 HOUSE
- 3237mm - 1 OFF 10 HOUSE

ITEM	PART NUMBER	DESCRIPTION
1	AL015_150	Long Pipe
2	AL015_155	65mm Pipe
3	AL015_156	100mm Pipe
4	AL015_157	300mm Pipe
5	PP001_002	45 Degree Shoe
6	PP001_003	DownPipe Clip
7	PP001_026	45 Degree Bend
8	PP001_027	90 Degree Bend
9	PP001_028	T Connector
10	PP001_029	90 Degree Shoe

FOR WATERBUTT TO SIDE OF GREENHOUSE



A (1 : 5)

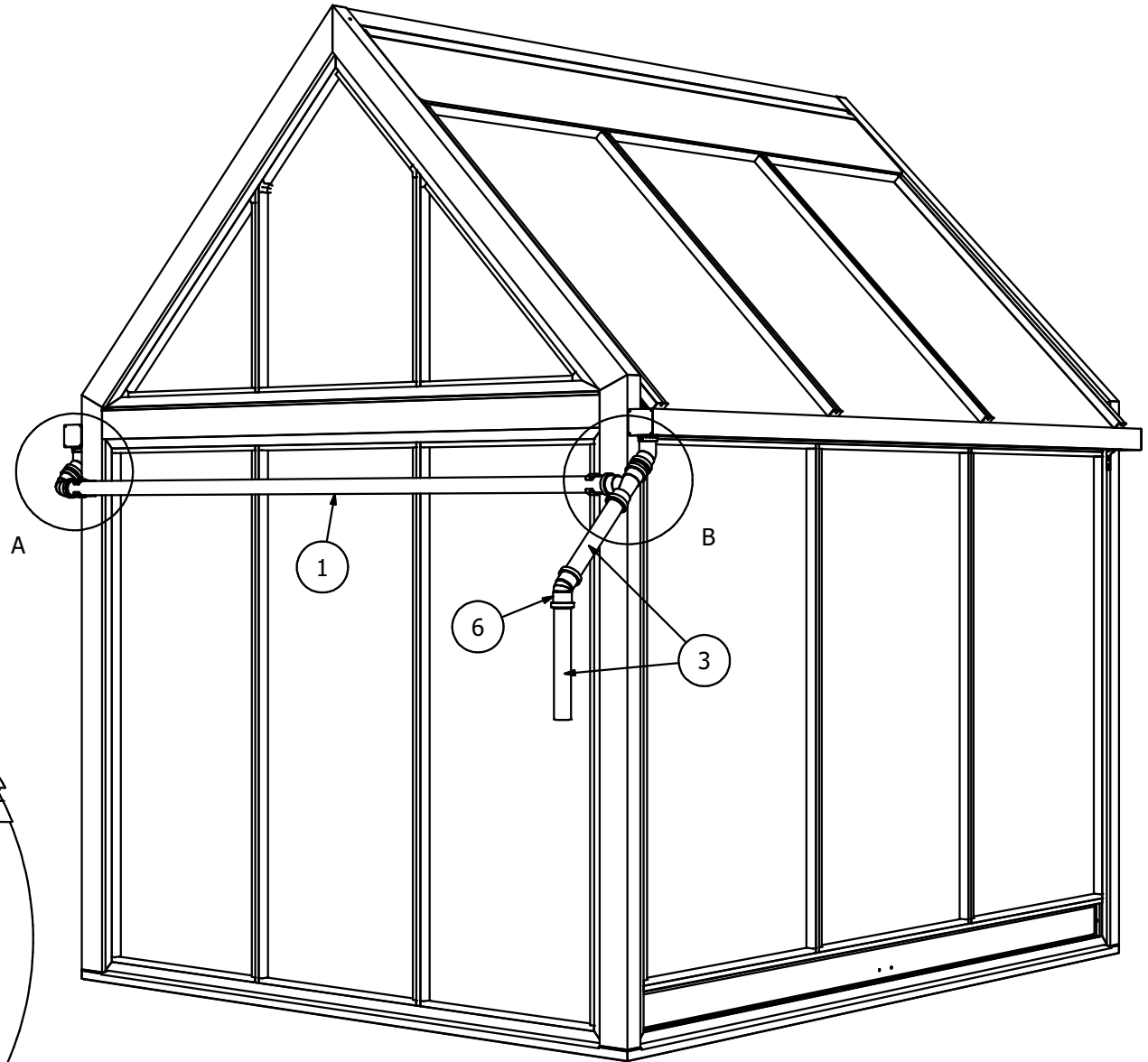
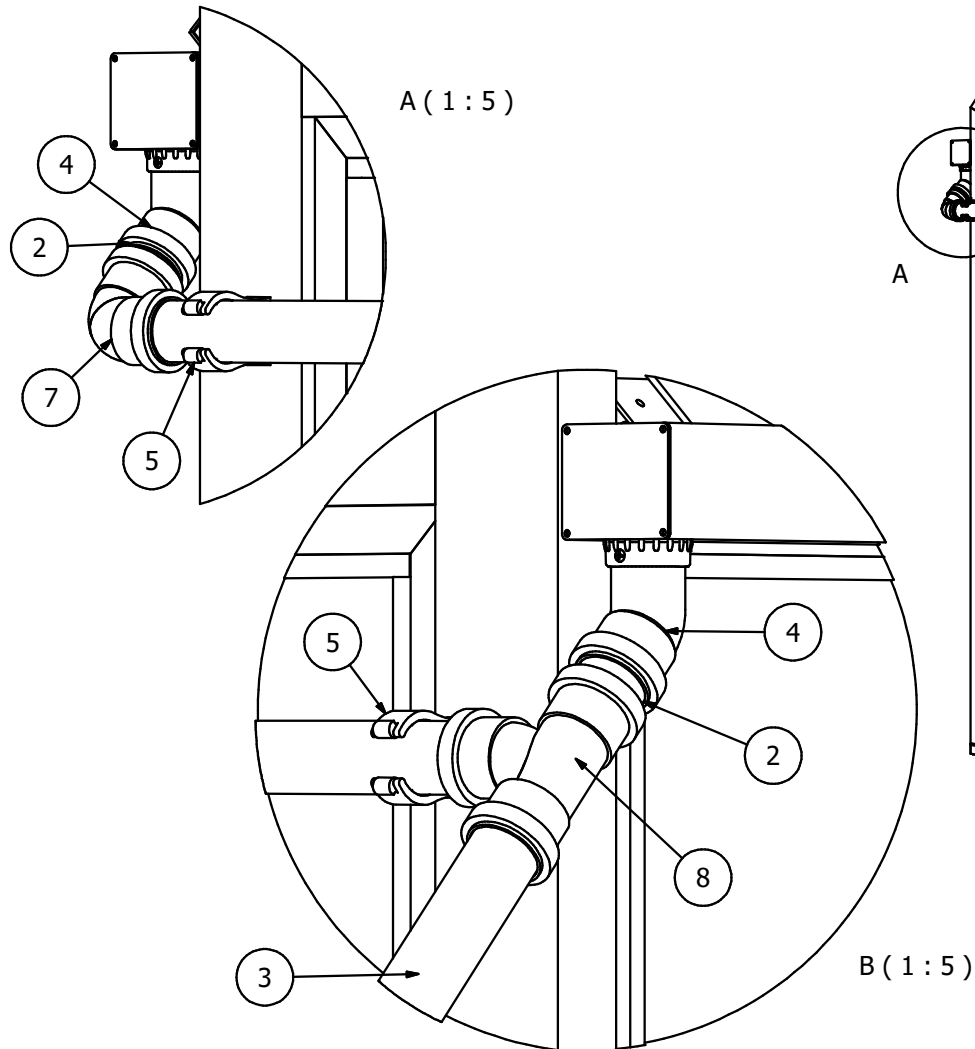


B (1 : 5)

ASSEMBLE COMPONENTS AS SHOWN, OR OPPOSITE TO SHOWN IF WATERBUTT IS ON THE OTHER SIDE. CUT DOWNPIPES (4) AS REQUIRED.

ITEM	PART NUMBER	DESCRIPTION
1	AL015_150	Long Pipe
2	AL015_155	65mm Pipe
3	AL015_157	300mm Pipe
4	PP001_002	45 Degree Shoe
5	PP001_003	DownPipe Clip
6	PP001_026	45 Degree Bend
7	PP001_027	90 Degree Bend
8	PP001_028	T Connector

FOR WATERBUTT BEHIND GREENHOUSE



DEPENDING ON YOUR WATERBUTT POSITION, ASSEMBLE COMPONENTS AS SHOWN, OR OPPOSITE TO SHOWN IF WATERBUTT IS ON THE OTHER SIDE. THEN CUT DOWNPIPES (3) AS REQUIRED.